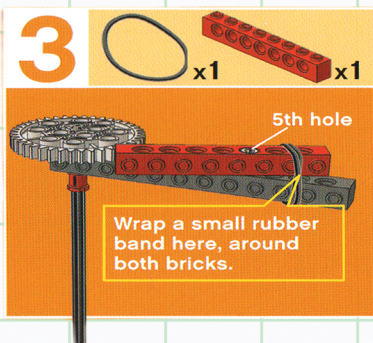
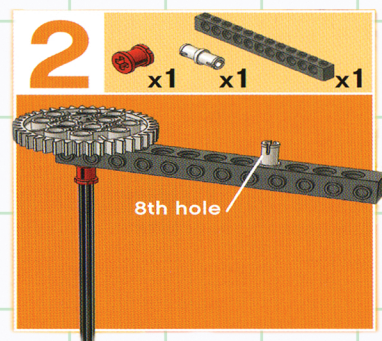
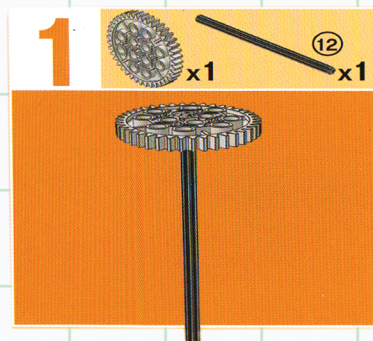


PARTS NEEDED:

- 1 Gear, 40 tooth, grey
- 1 Axle, 12 mod., black
- 1 Bushing, gray
- 1 Connector Peg, black
- 1 Studded Beam, 1X12, gray
- 1 Belt, red
- 1 Studded Beam, 1X8, red



DIRECTIONS:

Using the parts listed, build the LEGO Noise Maker (NM)

Test Noise Maker (NM)

Make a second (NM)

Test run both at the same time

POSSIBLE QUESTIONS:

How much noise can 1 (NM) make?

Will distance make a difference in the level of sound?

Will 2 (NM)s make more noise?