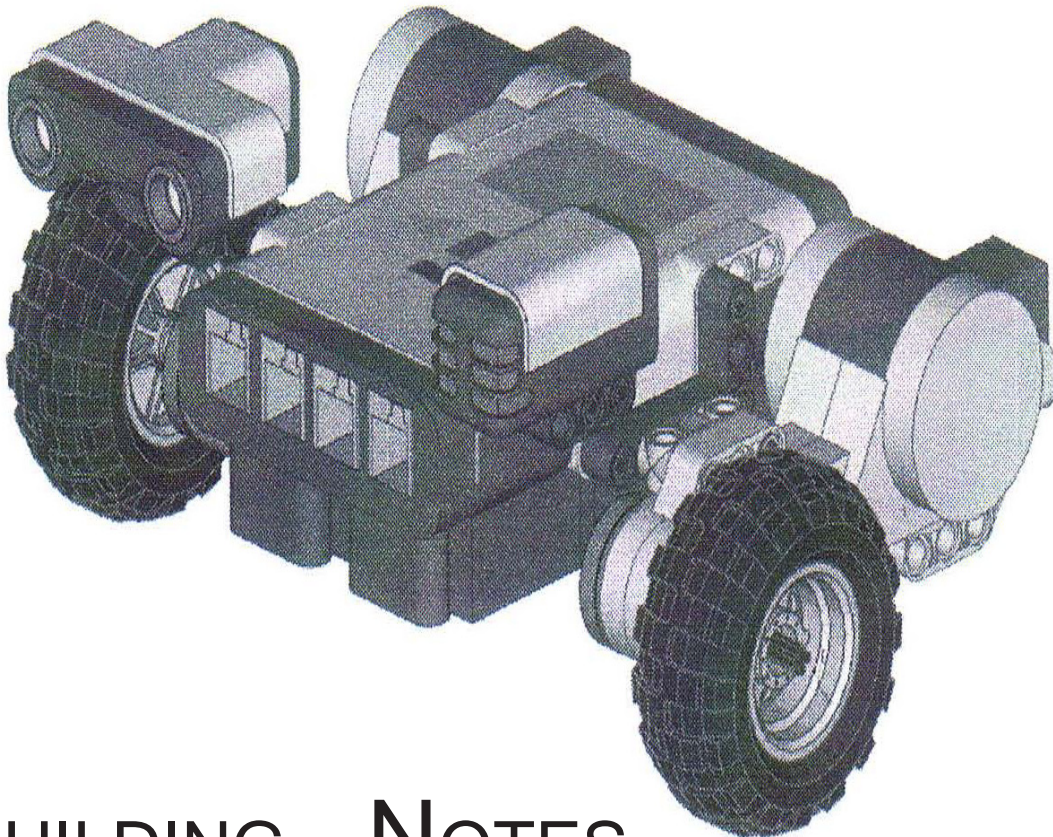


This simple robot found in Dr. Damien Kee's book "Classroom Activities for the Busy Teacher NXT", can be constructed with just a few dozen LEGO pieces. It is both quick to build and structurally very sound given its simple design.

Feel free to use this design in your classroom, and drop an email to let Dr. Kee know where and how you are using the robot. www.domabotics.com

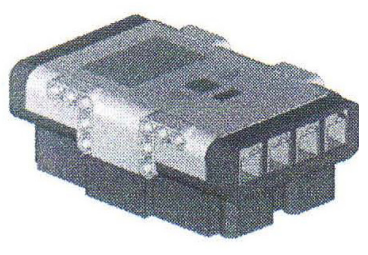
Dr Damien Kee is also a contributor to the popular NXTstep blog, a website by the top LEGO MINDSTORMS experts from around the world.

DomaBot

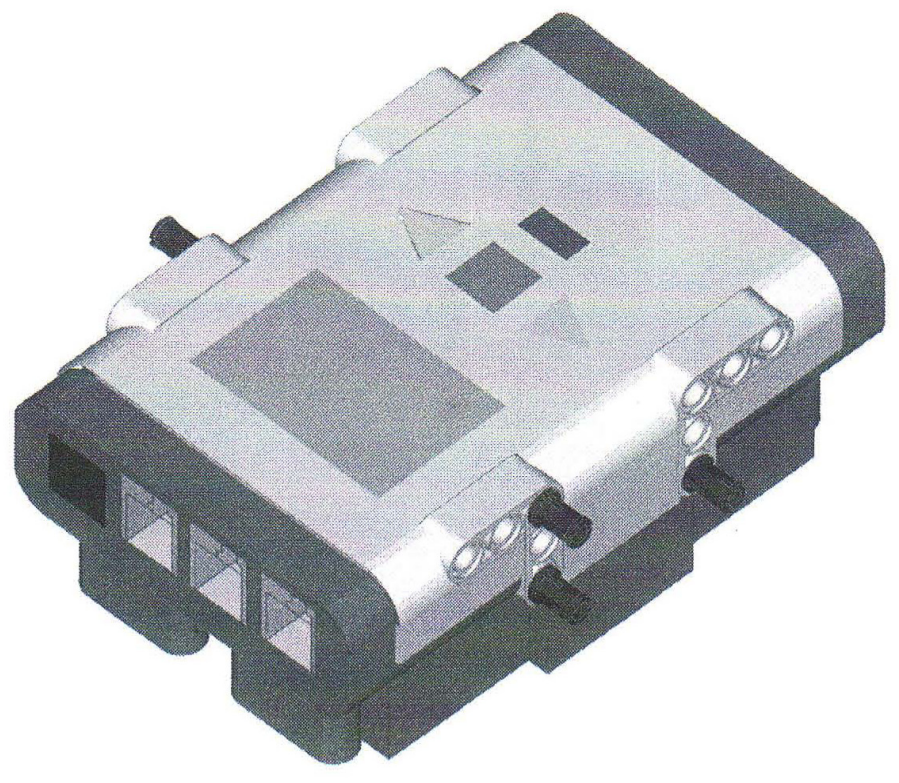


BUILDING NOTES

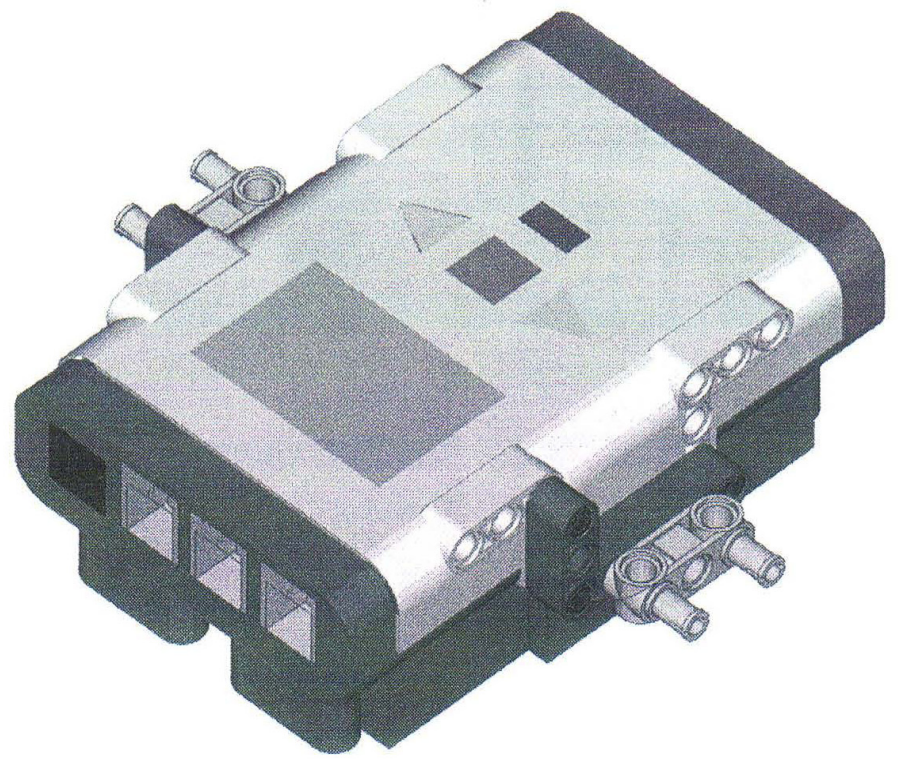
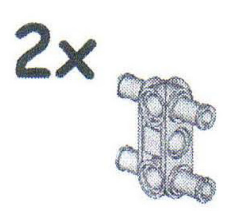
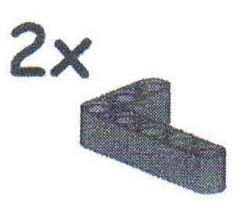
1



6x 

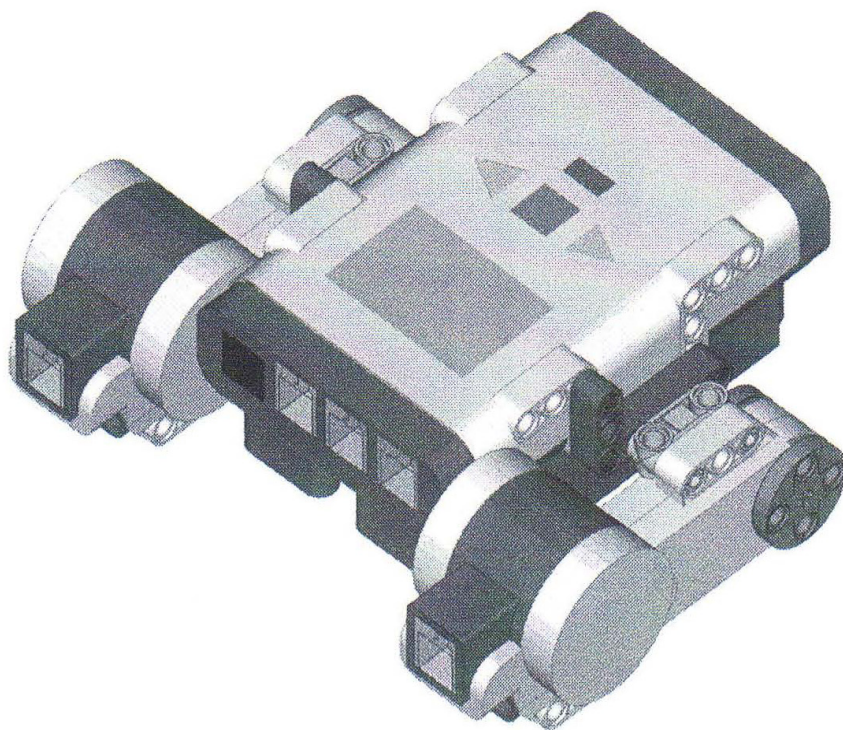
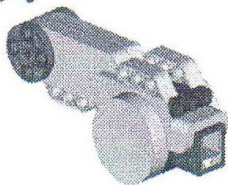


2



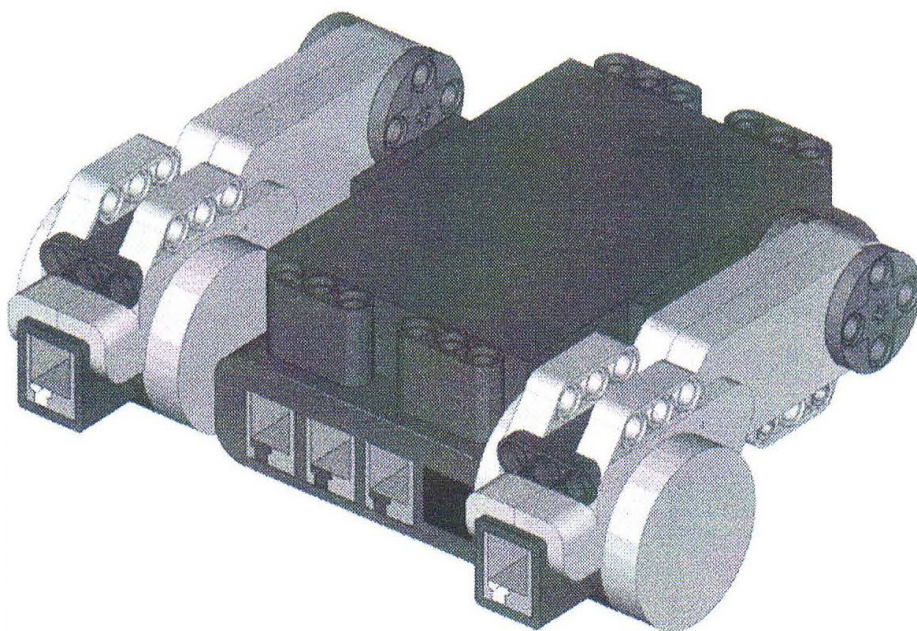
3

2x



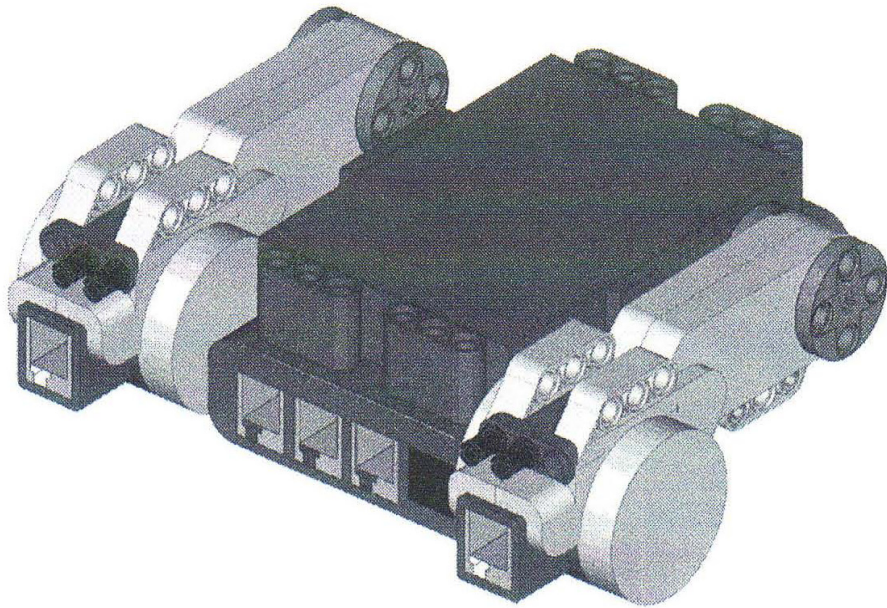
4

TURN
BUILD
OVER

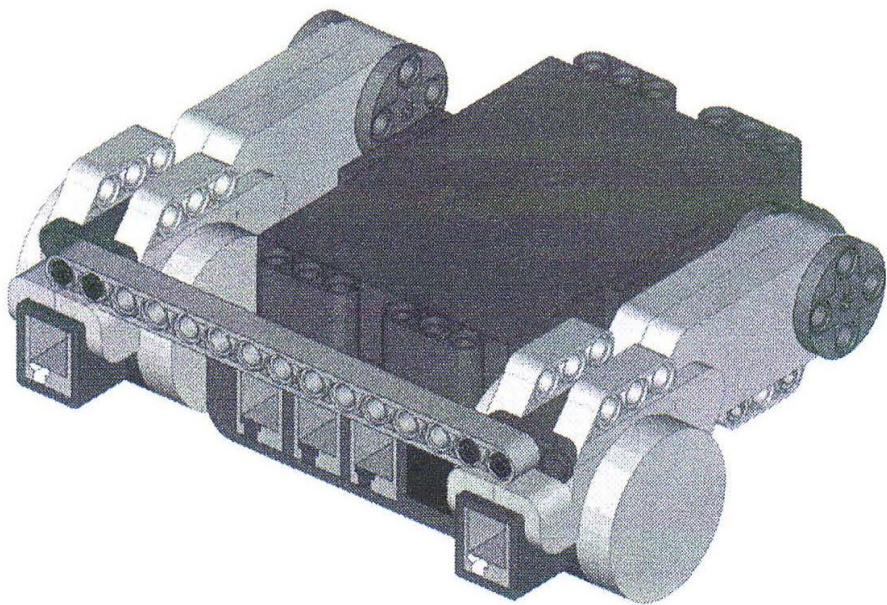
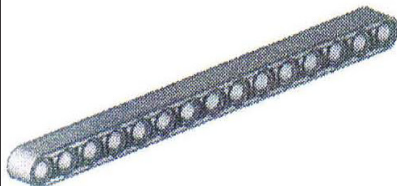


5

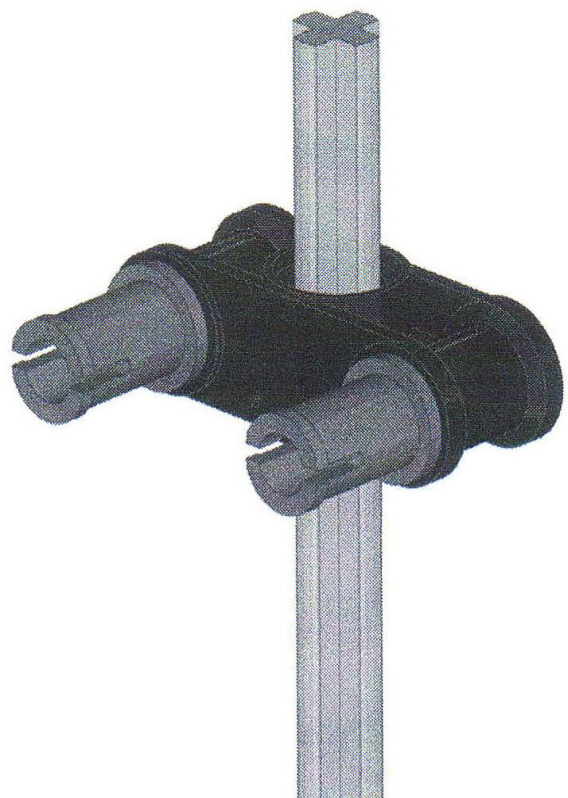
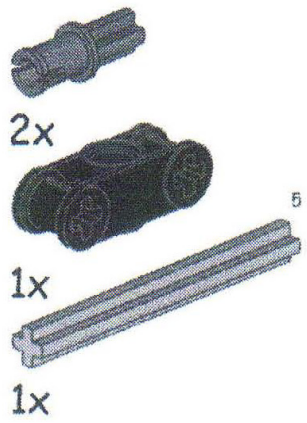
4x



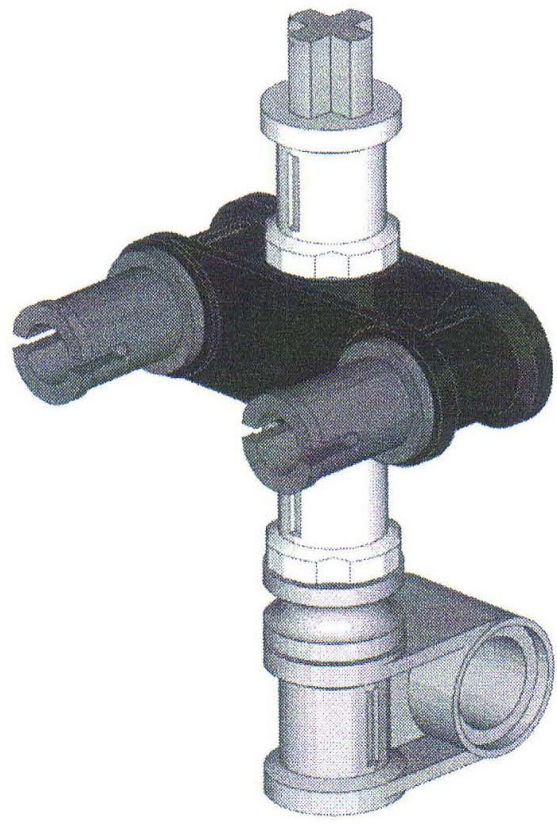
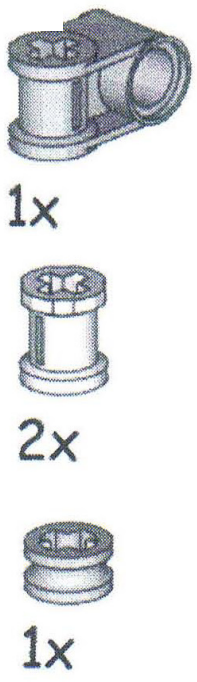
6



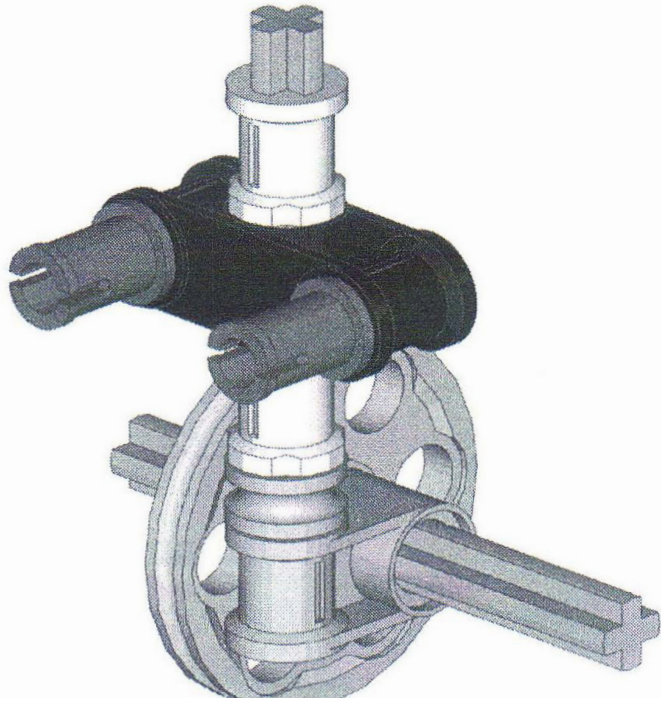
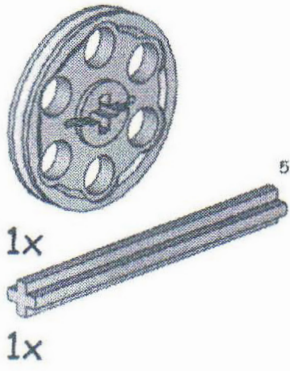
7



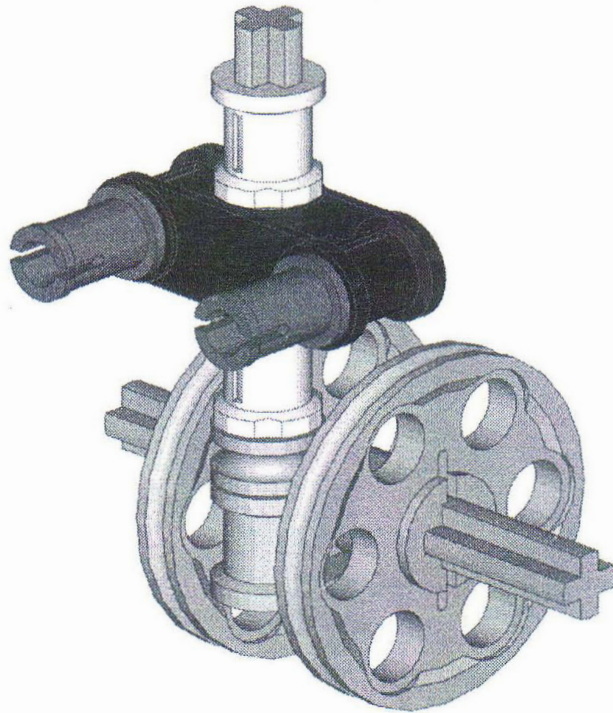
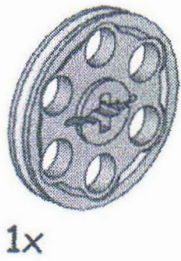
8



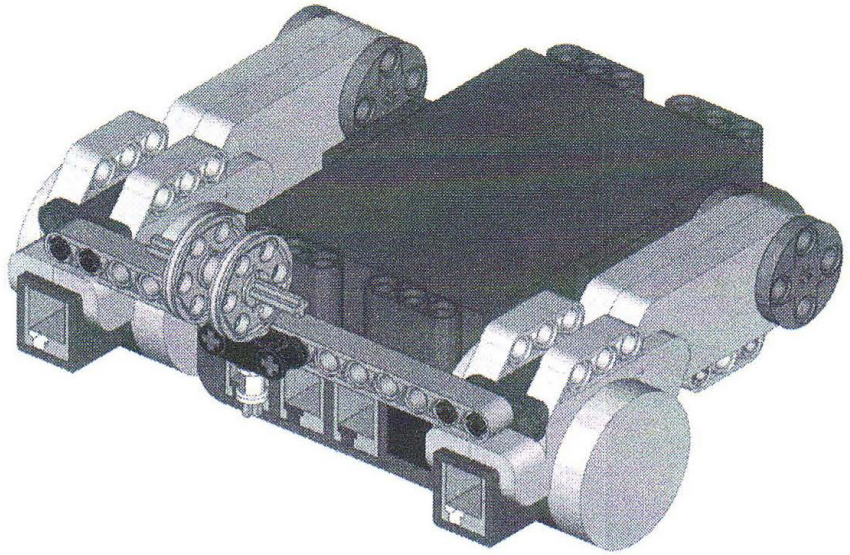
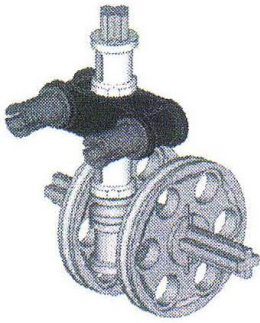
9



10

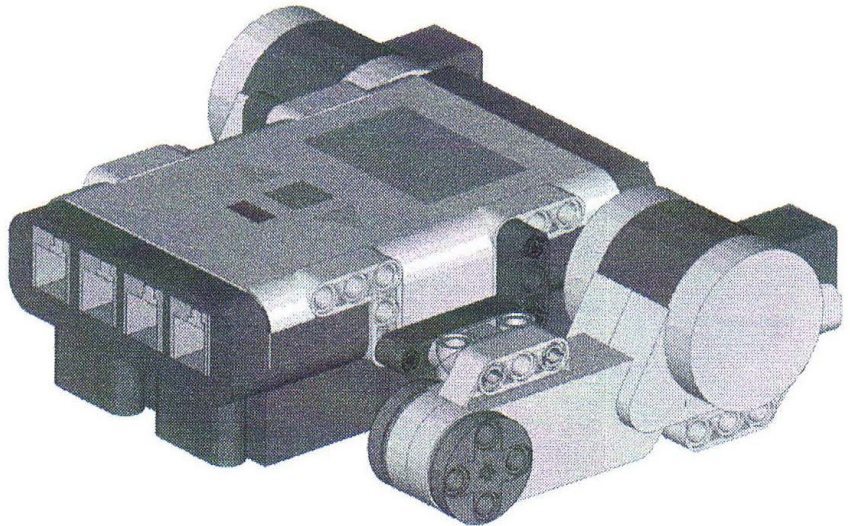


11



12

Turn
Over



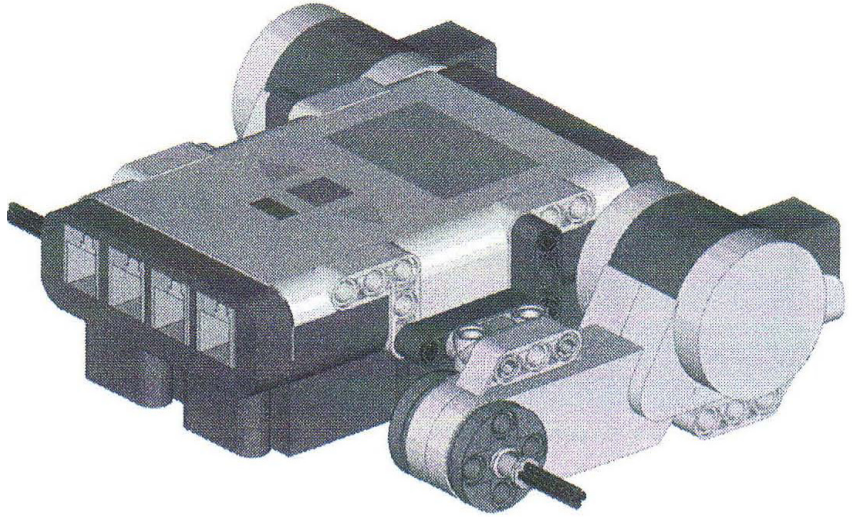
13



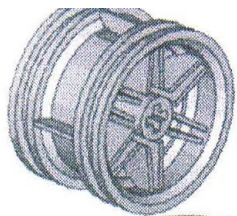
2x

2x

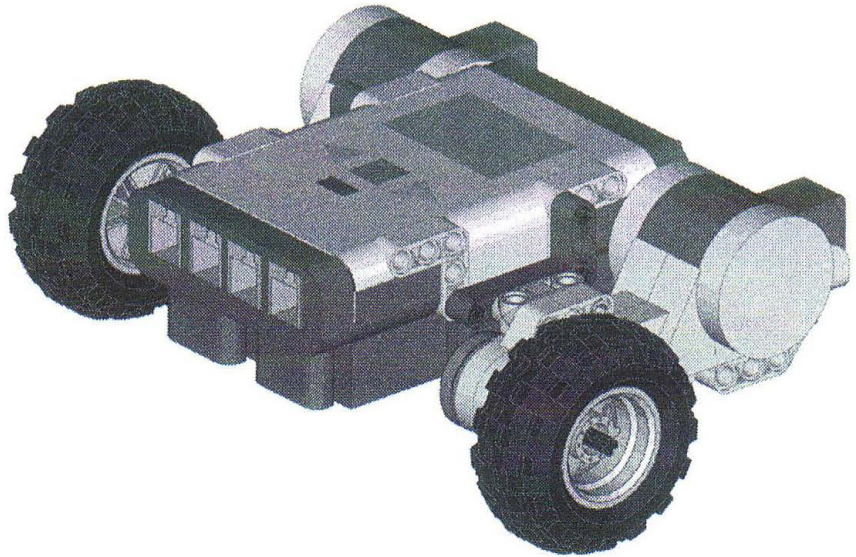
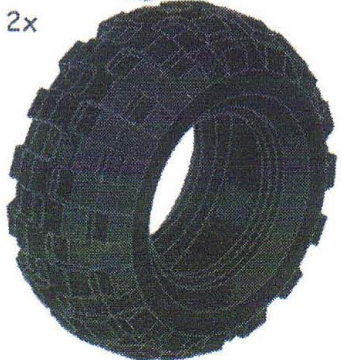
6



14



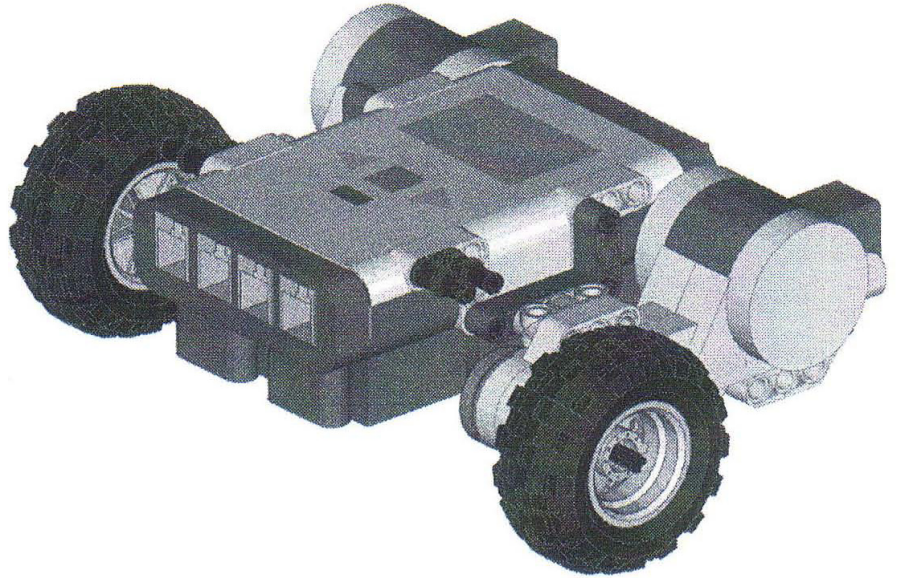
2x



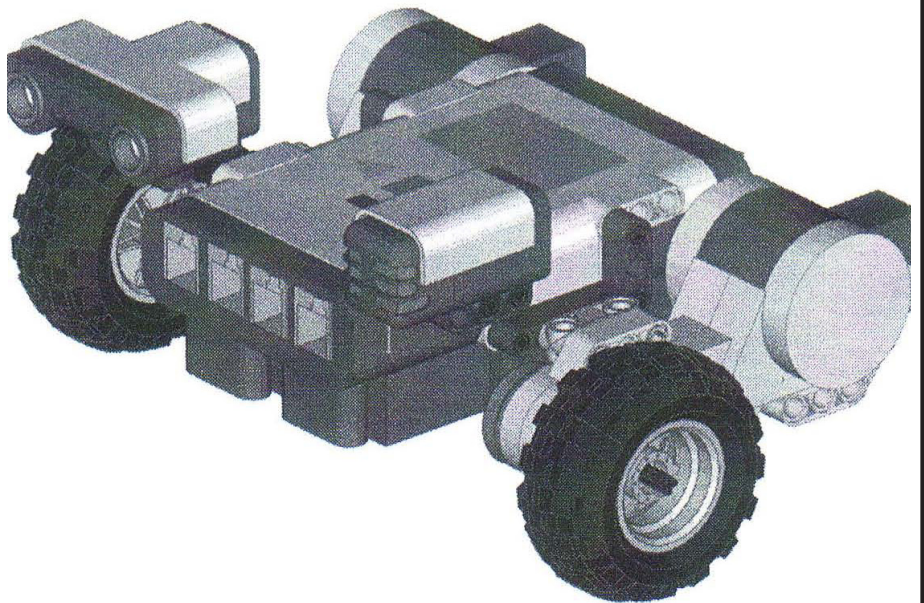
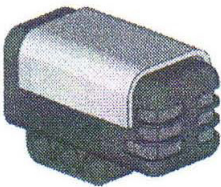
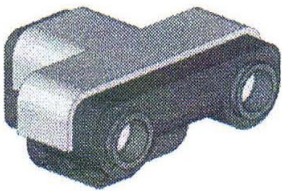
15



2x

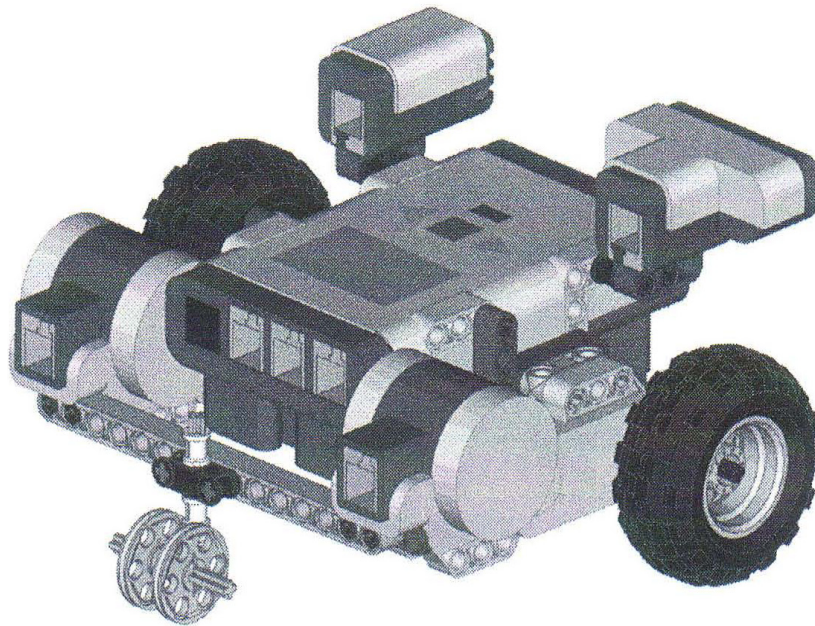


16



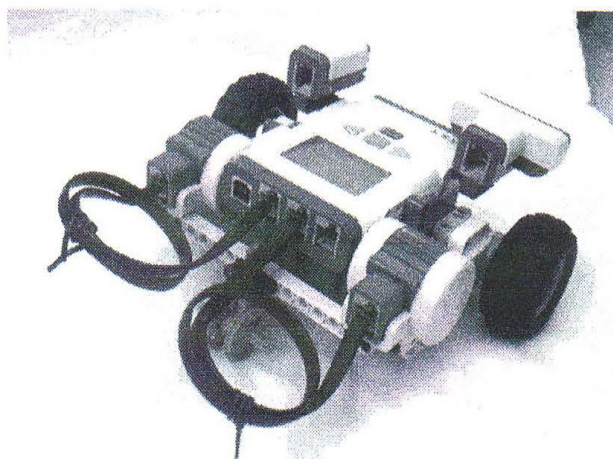
17

Turn
Around



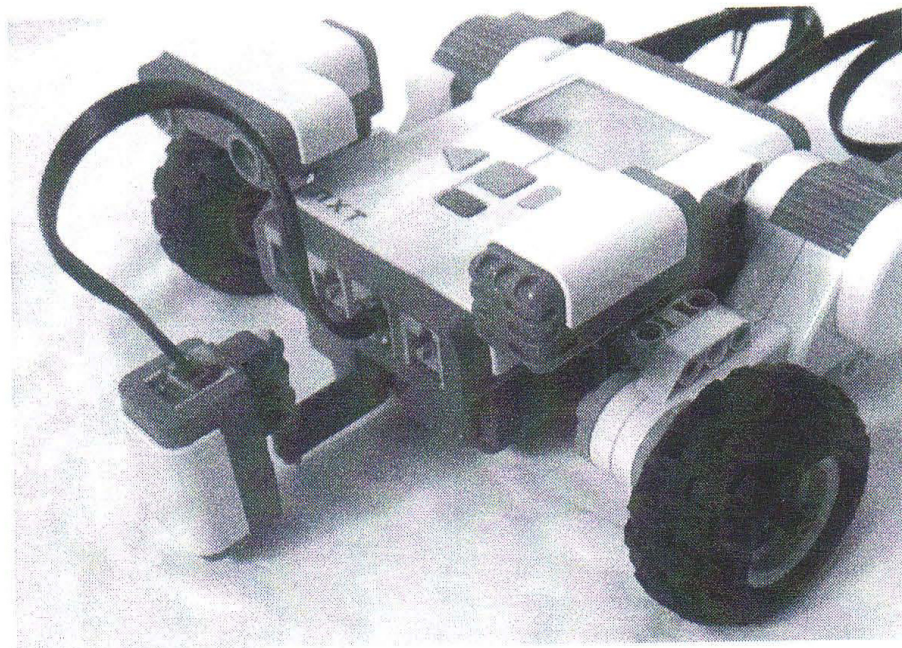
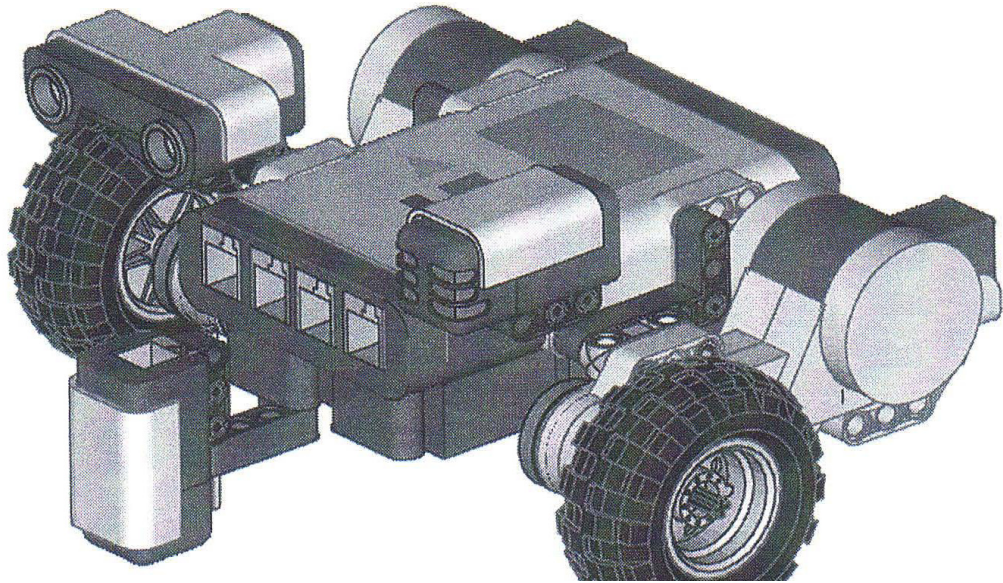
18

Connect Motors to NXT Brick



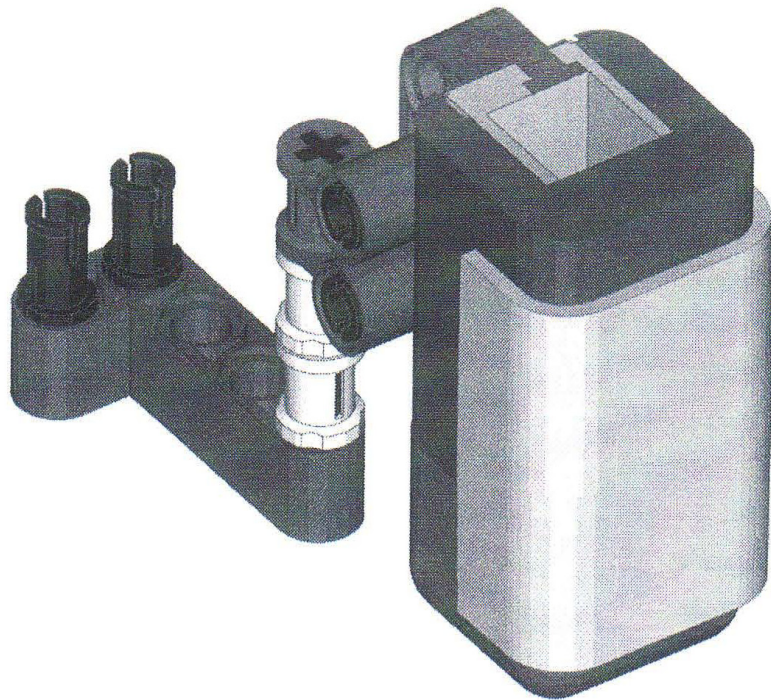
Left Motor connect to Port C
Right Motor connect to Port B

Light Sensor Attachment

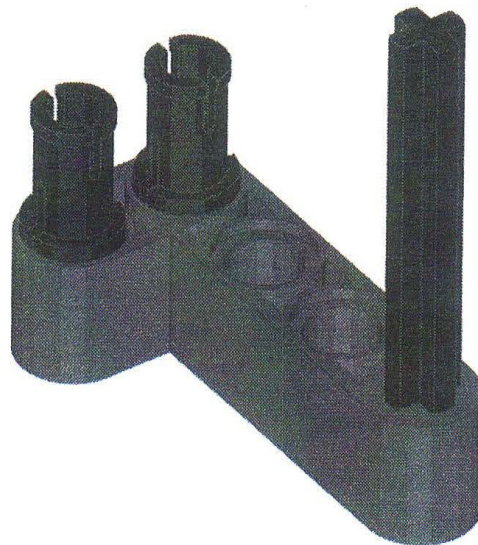
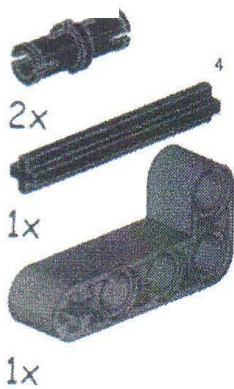


Connect Sensor cable to Port 3

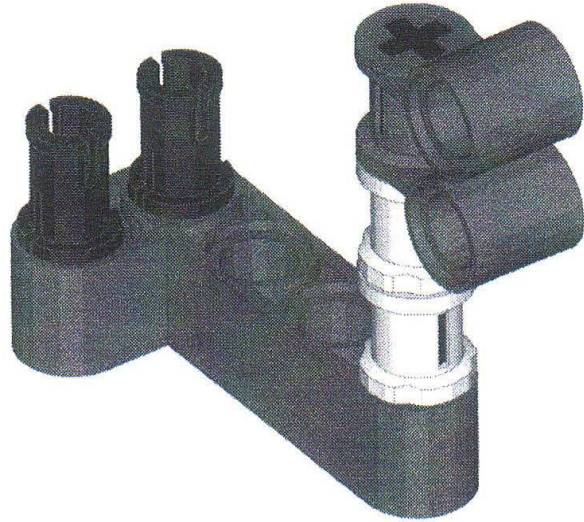
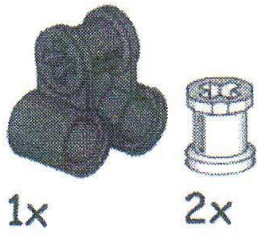
Light
Sensor
Attachment



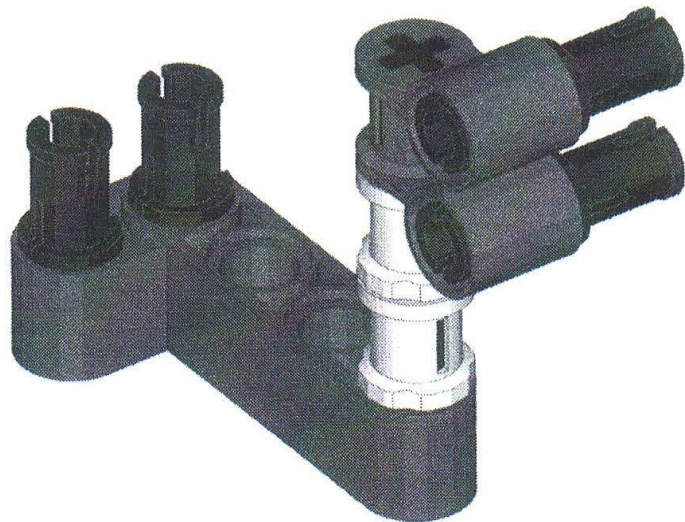
1



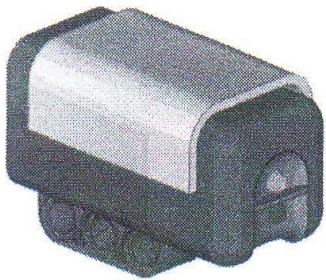
2



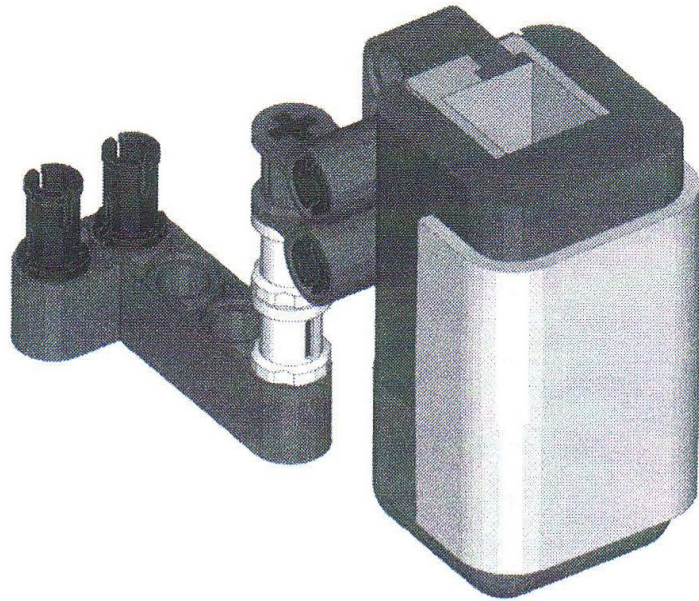
3



4

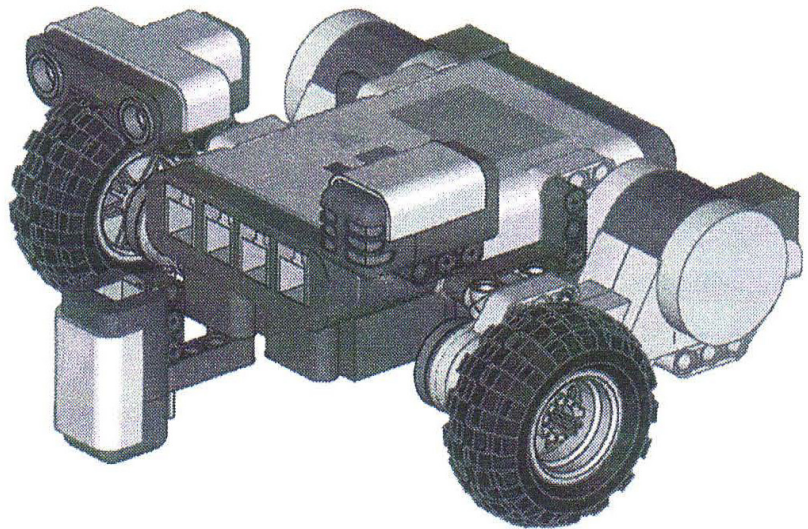


1x

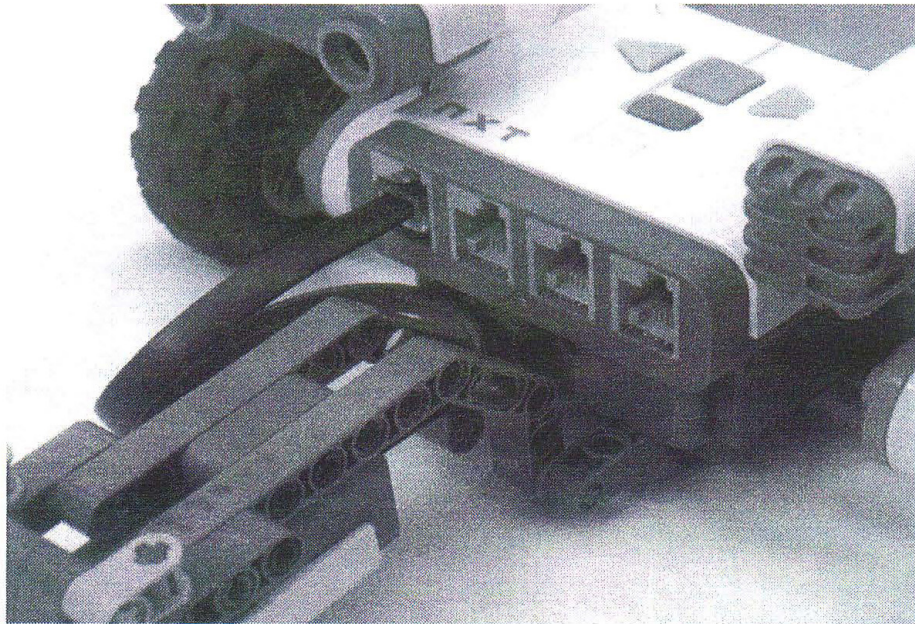
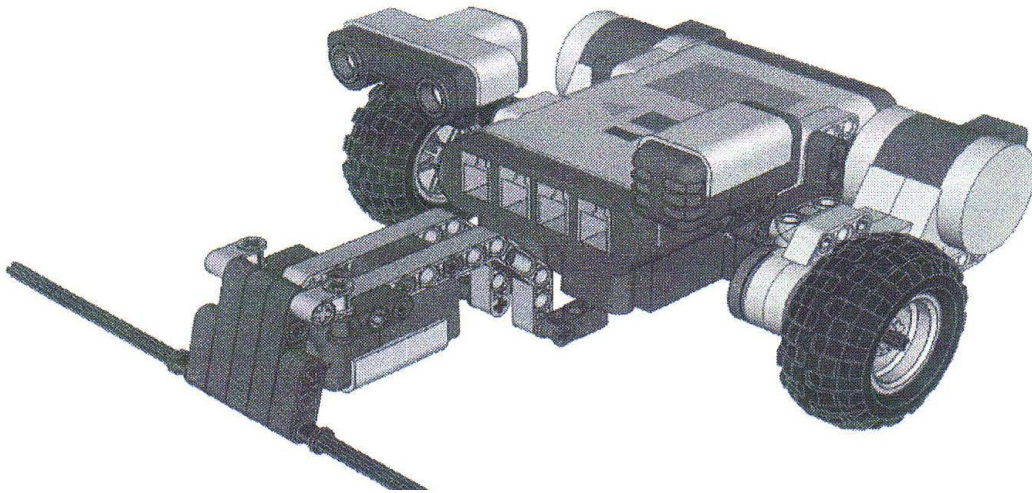


5

Attach to
the front of
the DomaBot

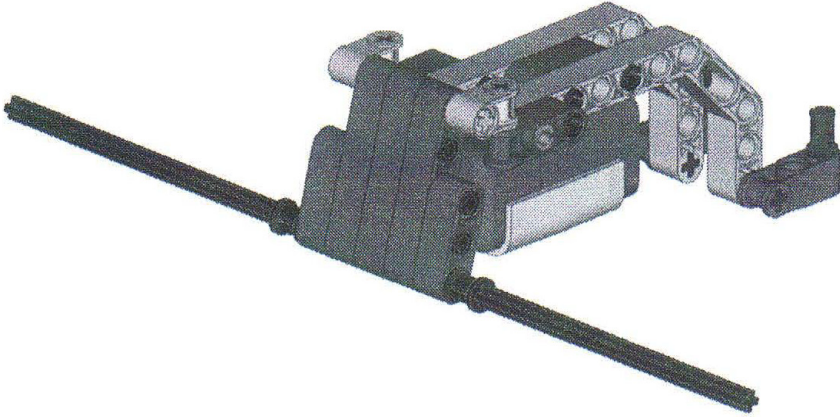


Touch Sensor Attachment

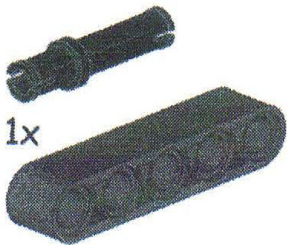


Connect Sensor cable to Port 1

Touch
Sensor
Attachment

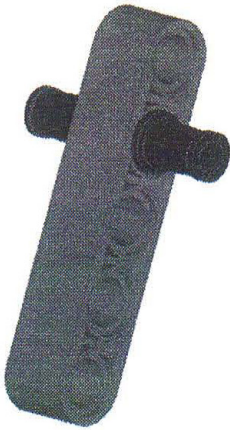


1



1x

1x



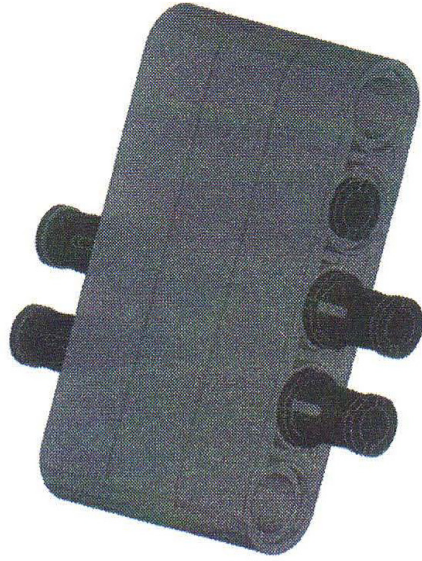
2



4x



2x



3



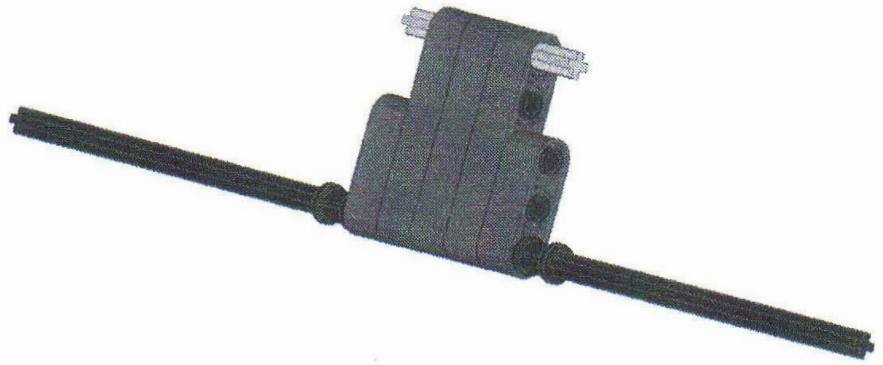
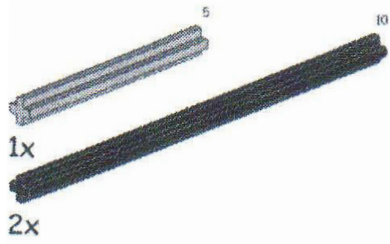
2x



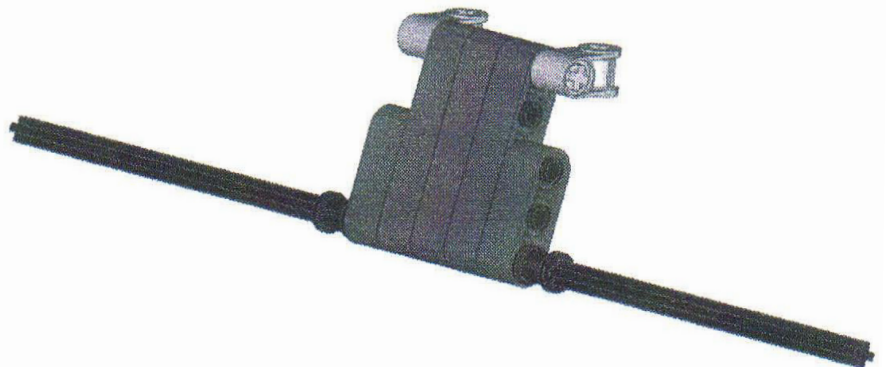
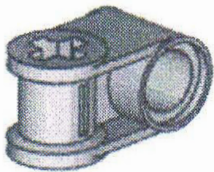
2x



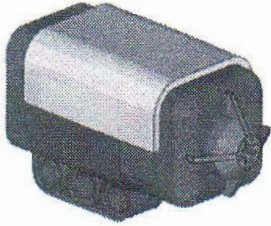
4



5



6

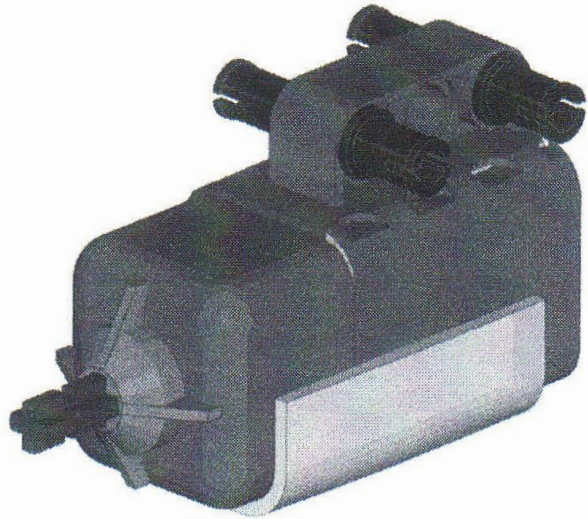


1x



1x

2x



7



2x



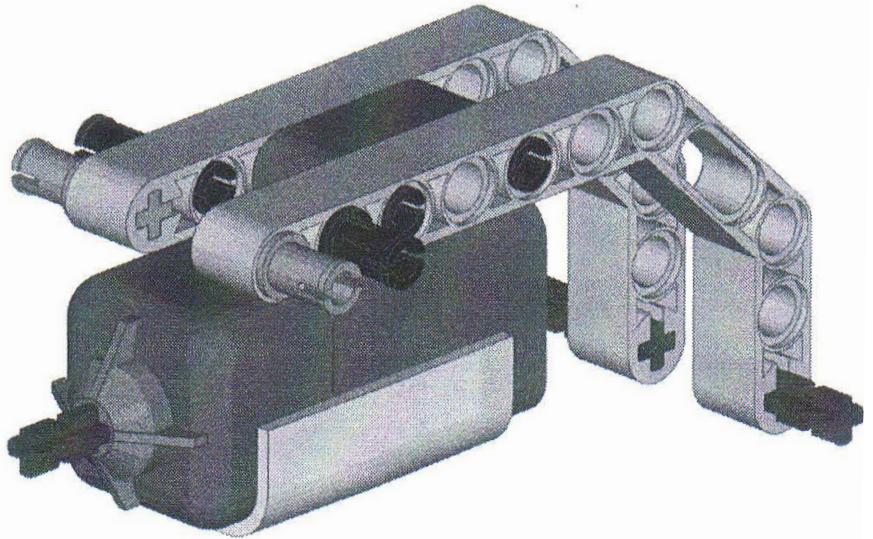
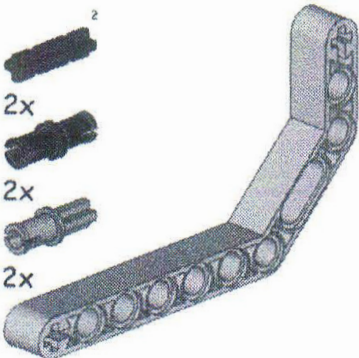
2x



2x



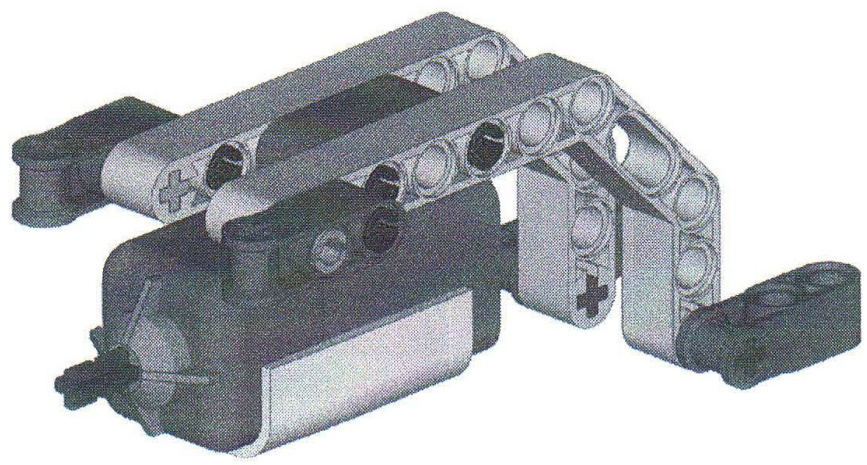
2x



8



4x



9



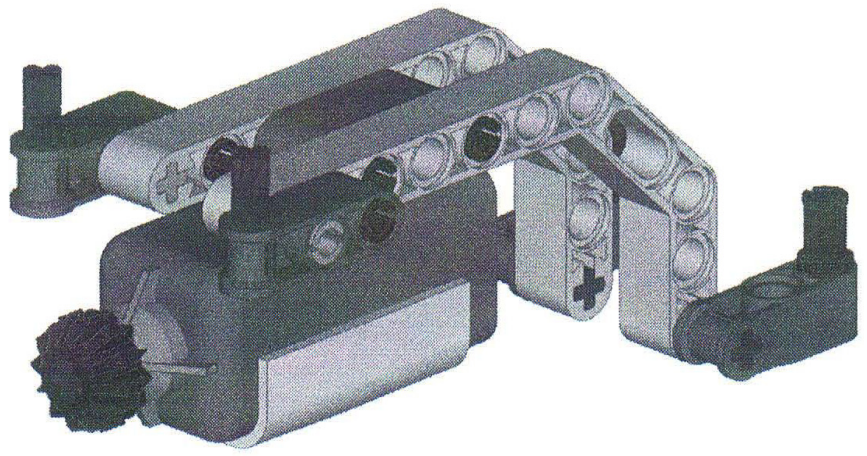
1x



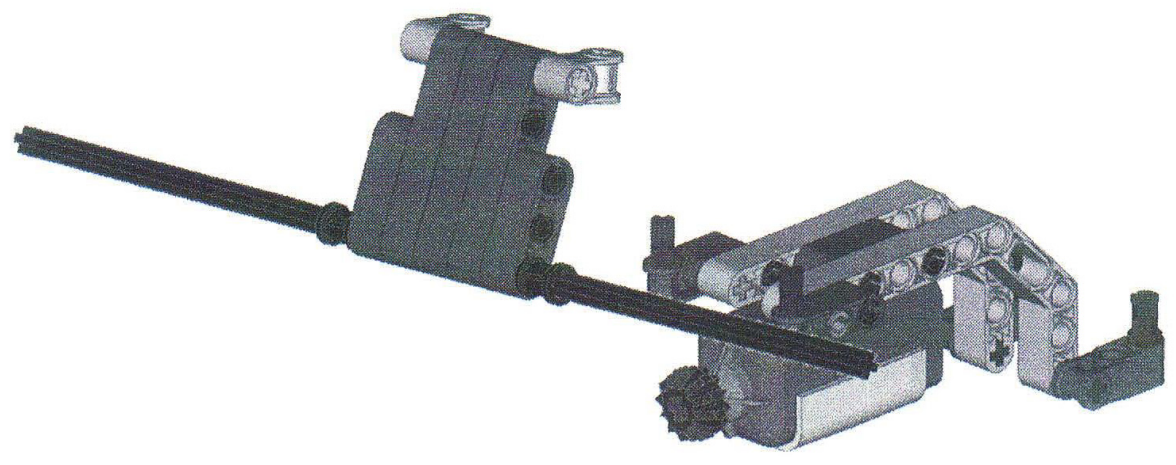
2x



2x



10



11

